



Surgical Light

APEX

Your choice for no-drift positioning and exceptional performance.

Reliable operation, simplicity and ease of use are the hallmark of every Burton product, and the APEX is no exception. For optimum illumination (120,000 lux at 1 meter), the highest quality no-drift arm system, reliability and true color rendering, there is no better value than Burton's APEX. Plus, an efficient multi-bulb design eliminates the need for complicated back-up bulb systems used in single source.

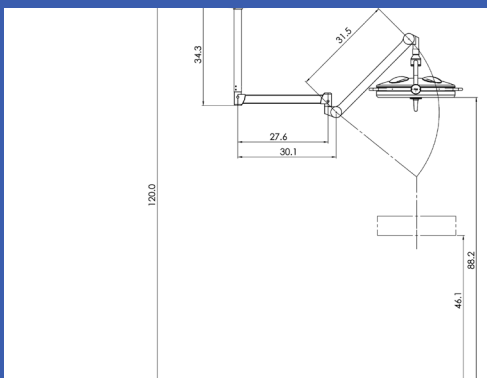
Features

- 120,000 lux at 1 meter
- 4200 K color temperature offers pure white illumination (without blue hues)
- CRI (Color Rendering Index) of 95
- 24" (61 cm) diameter lighthead
- Unlimited arm rotation
- Focuses with center autoclavable handle for exceptionally smooth focus
- Supplied with control box including on/off switch, and continuous adjustment
- Durable, aesthetic arm system that is recognized for drift-free
- 120v model standard, 100v and 230/240v models available
- 5-year limited warranty
- Assembled in USA

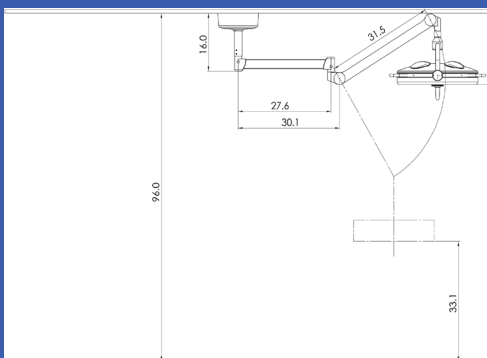


burton®

APEX range of motion



APEX 8-FT.



APEX 10-FT.

Summary of technical data

APEX

Illuminance:	120,000 lux at 1 meter
Color Temperature:	4200 Kelvin
CRI (Color Rendering Index):	95
Focusing:	Center autoclavable handle
Light Source:	Halogen
Mounting Options:	8' Single / Double Ceiling, 10' Single / Double Ceiling Mount
Certifications/Approvals:	5UL/IEC 60601-1, IEC 606-1-2, EN/IEC 60601-2-41, CAN/CSA C22.2 NO. 601.1
Warranty:	5-year limited warranty



Reliable operation, simplicity, and ease of use are the hallmarks of every Burton product, and the APEX is no exception.

Ordering Information

APEX

120v Model	230/240v Model	120v SP Model*	230/240v SP Model*	100v Model	Description
APXSC8	APXSC825	APXSC8SP	APXSC825SP	APXSC801	8' Single Ceiling Mount
APXSC10	APXSC1025	APXSC10SP	APXSC1025SP	APXSC1001	10' Single Ceiling Mount
APXDC8	APXDC825	APXDC8SP	APXDC825SP	APXDC801	8' Double Ceiling Mount
APDCDC10	APXDC1025	APXDC10SP	APXDC1025SP	APXDC1001	10' Double Ceiling Mount

*SP Model refers to Spanish Language Manuals.

ACCESSORIES

Model No.	Description
0002004PK	APEX replacement bulbs, 6/box
0008100PK	Light handle covers, sterile, 25/box



© 2022 Burton Medical. All rights reserved. Burton Medical reserves the right to make changes in specifications and/or to discontinue any product at any time without notice or obligation and will not be liable for any consequences resulting from the use of this publication.

burton®

Burton Medical, LLC
2300 W Windsor Ct., Suite C
Addison, IL 60101 USA
Phone (800) 444-9909, Fax (800) 765-1770
Burtonmedical.com