



Examination Light

# Nova Exam<sup>®</sup> LED

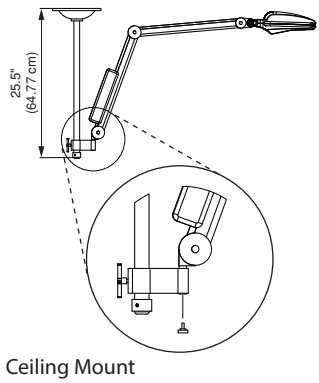
Superior illumination and uniform light beam delivered on a highly positionable arm.

Nova Exam LED meets the demands of today's clinical examination applications. The LED Chip-on-Board light source produces light that enhances physician/patient comfort while delivering a high illuminance level and a highly-uniform beam pattern. A sleek head design, combined with a patented K-arm, allows quick and reliable positioning while being easy to clean and maintain. Economical benefits include less maintenance and longer light-source life.

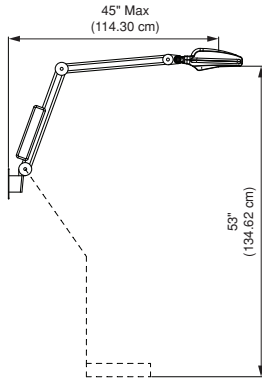


burton<sup>®</sup>

Versatile  
Nova Exam  
LED is available  
in a variety of  
mounting options  
– Mobile Floor  
Stand, Table, Wall  
or Ceiling – to fit  
any application.  
(Rail Mount sold  
separately)



Ceiling Mount



Wall Mount

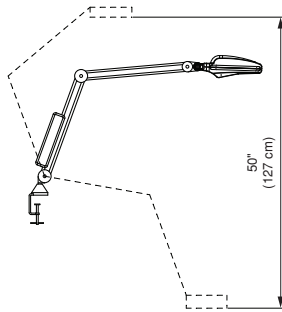
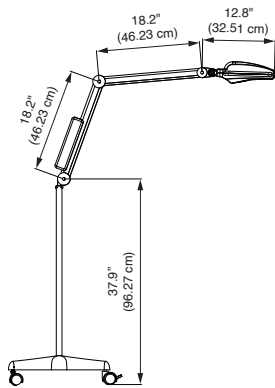


Table Mount



Mobile Floor Stand

## Summary of technical data

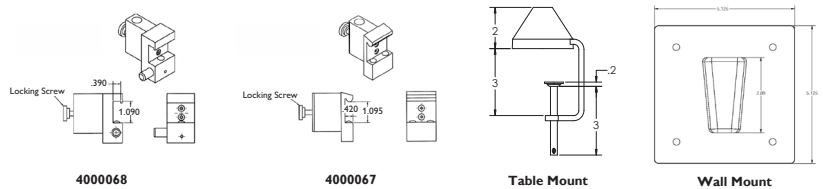
|  |  |
|--|--|
| <b>Illuminance:</b><br>Low Level<br>High Level | 45,000 Lux at 18"<br>90,000 Lux at 18"   |
| <b>Color Temperature:</b>                      | 4100 Kelvin  |
| <b>Color Rendering Index (CRI):</b>            | >95  |
| <b>Light Source:</b>                           | Light Emitting Diode (LED)   |
| <b>Rated Life:</b>                             | 50,000-hour average LED life   |
| <b>Input Power:</b>                            | Low Level 7 Watts<br>High Level 14 Watts   |
| <b>Mounting Options:</b>                       | Mobile Floor Stand, Wall/Table Mount, Ceiling Mount,<br>(Rail Mount sold separately)                       |
| <b>Maximum Arm Reach:</b>                      | 45" (114.30 cm)  |
| <b>Applications:</b>                           | General examination  |
| <b>Certifications/Approvals:</b>               | IEC 60601-2-41 (2013)<br>ANSI/AAMI ES60601-1:2005 and A1:2009/(R)2012,<br>CSA CAN/CSA-C22.2 NO. 60601-1:14 |
| <b>Product Warranty:</b>                       | 5-year limited warranty  |

## Ordering Information

| Universal Input<br>100v - 240v, 50-60 Hz | Description                                   |
|--|---|
| NXFL                                     | Nova Exam LED Mobile Floor Stand, NEMA 5-15P  |
| NXFL01                                   | Nova Exam LED Mobile Floor Stand, CEE7/7      |
| NXFL02                                   | Nova Exam LED Mobile Floor Stand, AS/NZS 3112 |
| NXFL03                                   | Nova Exam LED Mobile Floor Stand, BS 1363     |
| NXT                                      | Nova Exam LED Table Mount, NEMA 5-15P         |
| NXT01                                    | Nova Exam LED Table Mount, CEE7/7             |
| NXT02                                    | Nova Exam LED Table Mount, AS/NZS 3112        |
| NXT03                                    | Nova Exam LED Table Mount, BS 1363            |
| NXW                                      | Nova Exam LED Wall Mount, NEMA 5-15P          |
| NXW01                                    | Nova Exam LED Wall Mount, CEE7/7              |
| NXW02                                    | Nova Exam LED Wall Mount, AS/NZS 3112         |
| NXW03                                    | Nova Exam LED Wall Mount, BS 1363             |
| NXC                                      | Nova Exam Ceiling Mount                       |

## ACCESSORIES

| Model   | Description                 |
|---------|-----------------------------|
| 4000071 | 10' Ceiling Drop Tube (42") |
| 4000068 | Din Style Rail Mount        |
| 4000067 | Fairfield Style Rail Mount  |



## IEC Plug Type



© 2022 Burton Medical. All rights reserved. Burton Medical reserves the right to make changes in specifications and/or to discontinue any product at any time without notice or obligation and will not be liable for any consequences resulting from the use of this publication.

**burton®**

Burton Medical, LLC  
2300 W Windsor Ct., Suite C  
Addison, IL 60101 USA  
Phone (800) 444-9909, Fax (800) 765-1770  
Burtonmedical.com