



Task & Examination Light

Super Exam 50[®]

Burton's Super Exam 50[®] delivers best-in-class intensity, color temperature and CRI – all on a highly-positionable K-arm.

Delivering higher illumination in a limited area, Super Exam 50[®] is ideal for obstetrics, gynecology and emergency rooms. Super Exam 50[®] uses halogen technology for maximum light output and color rendering. A dual lens optical system collects and concentrates the light in a precise beam.



*Unique dual lens technology
produces greater light intensity
than competitive models*



The Right Light

PHILIPS
burton

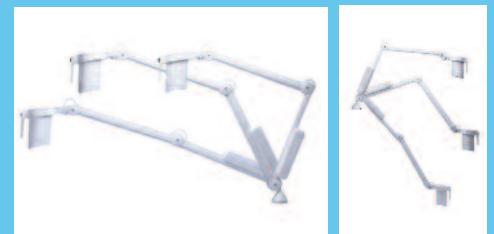
Summary of technical data

Illuminance:	45,750 lux (4250 fc) at 24" (61 cm)
Color temperature:	3800 K
CRI (Color Rendering Index):	99
Type of bulb:	50W MR-16 bulb with 4000-hour life
Power requirements:	120V model standard; 230 / 240V model available
Certifications/Approvals:	IEC 60601-1/ 60601-2-41 certified; CE marked
Product warranty:	5-year limited warranty

Note: The optical data are nominal values based on measurements calculated according to UL/IEC performance standards at 120V

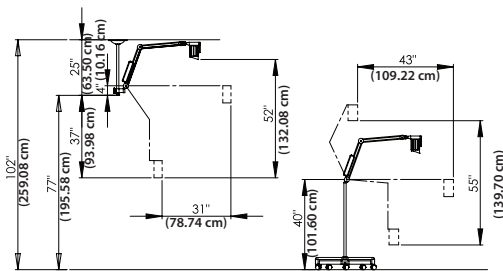
K-Arm technology

Medical products are used in a dynamic environment and need a great level of flexibility. Friction-based arms with tightening screws make movement a problem. If you loosen a friction screw too much, the arm will collapse! That's why Burton's Super Exam 50® uses a unique, self-balancing K-Arm. No other arm in the market offers this kind of extensive 42" (107 cm) reach. Internal springs ensure smooth, easy positioning and the arm will stay in the right position without drifting.



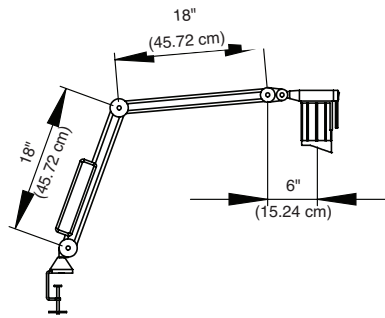
Horizontal Movement (above left): Designed for maximum movement in the horizontal plane. Typical applications: Floor stand, table mounted. **Vertical Movement** (above right): More vertical movement than arms found on large operating lights. The arm will always tilt forward to avoid collisions with the wall. Typical applications: Wall mounted, ceiling mounted, rail mounted.

Super Exam 50® range of motion and general dimensions

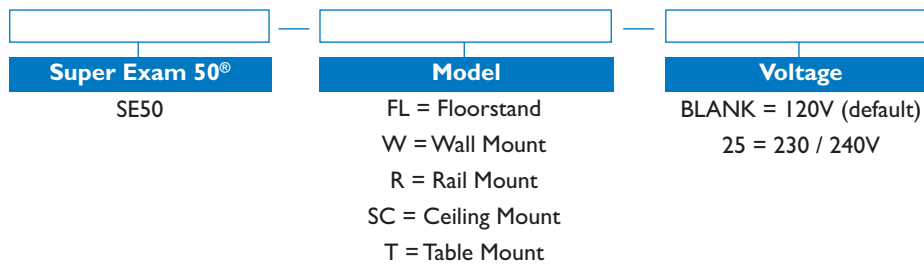


Ceiling arm movement same as for wall and rail mounts

Floorstand arm movement same as for table mount



Sample Model No: SE50SC25 = Super Exam 50®, Ceiling Mount, 230 / 240V



Accessories

#4000061PK

MR-16 Replacement Bulbs (3 Bulbs)



Philips Burton
21100 Lassen Street Chatsworth, CA 91311
Phone: 818-701-8700 Fax: 818-701-8725
www.burtonmedical.com

© 2011 Philips Burton. All rights reserved. Product designs protected by copyright. We reserve the right to change details of design, materials and finishes.

LIT-0050, Rev. 2