



Task & Examination Light

# Super Exam 50<sup>®</sup> LED

Natural white light, best-in-class intensity, energy savings and longevity – all on a highly-positionable K-arm.

*The Right Light*

**PHILIPS**  
**burton**

Task & Examination Light

# Super Exam 50<sup>®</sup> LED

The best combination of natural white LEDs and drift-free positioning of any high-intensity, task and examination light in the market.

Higher illumination in a precisely controlled beam is just the beginning. Delivering value through longer life, lower energy consumption and versatility is where the Super Exam 50<sup>®</sup> LED really shines. The LED technology in this highly engineered optical system delivers the precisely controlled natural white light that is so important for an accurate examination whether your practice is obstetrics, gynecology, dermatology or emergency medicine. Total energy consumption is 16 Watts.

## Features

- High-intensity of 39,000 lux (3623 fc) at 24" (61 cm)
- 4000 K color temperature
- CRI (Color Rendering Index) of 92
- Natural white light
- LED light module with 40,000-hour life
- Universal input voltage
- Drift-free K-arm with 42" (107 cm) arm range
- Rail mount bracket that can be attached to a bed rail or wall rail
- IEC 60601-1/ 60601-2-41 certified
- CE marked
- 5-year limited warranty



## K-Arm technology

Medical products are used in a dynamic environment and need a great level of flexibility. Friction-based arms with tightening screws make movement a problem. If you loosen a friction screw too much, the arm will collapse! That's why Burton's Super Exam 50<sup>®</sup> LED uses a unique, self-balancing K-Arm. No other arm in the market offers this kind of extensive reach. Internal springs ensure smooth, easy positioning and the arm will stay in the right position without drifting.



**Horizontal Movement** (above): Designed for maximum movement in the horizontal plane. Typical applications: Floorstand, table mounted. **Vertical Movement** (right): More vertical movement than arms found on large operating lights. The arm will always tilt forward to avoid collisions with the wall. Typical applications: Wall mounted, ceiling mounted, rail mounted.





Drift-free K-arm provides better positioning than goosenecks

Specially designed light head reduces surface temperature



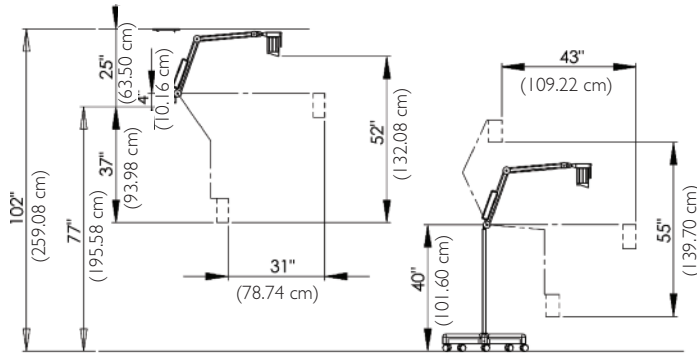
Long lasting, energy-efficient LED light source

### Ordering Information

120V Model	230/240V Model	Description
SE50LFL	SE50LFL25	Floorstand
SE50LR	SE50LR25	Rail, DIN 25
SE50LR I	SE50LR I25	Rail, Fairfield
SE50LSC	SE50LSC25	Single Ceiling Mount
SE50LT	SE50LT25	Table Mount
SE50LVV	SE50LVV25	Wall Mount

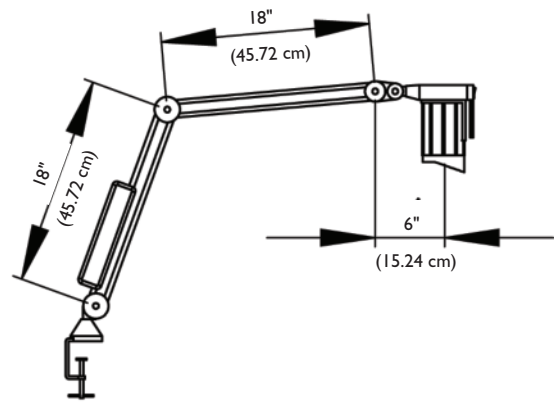
Note: This product is NOT available in Norway, Sweden, Finland, Denmark, Estonia, Russia, Germany, UK, Ireland, Australia, Spain, the Netherlands or Iceland.

# Super Exam 50<sup>®</sup> LED range of motion and general dimensions



Ceiling arm movement same as for wall and rail mounts

Floorstand arm movement same as for table mount



## Summary of technical data

Illuminance:	39,000 lux (3623 fc) at 24" (61 cm)
Color temperature:	4000 K
CRI (Color Rendering Index):	92
Light sources:	Light Emitting Diode (LED)
Rated life of LEDs:	40,000 hours
Power:	16 Watts
Power supply:	Universal input voltage
Mounting options:	Single Ceiling, Floor, Table, Rail and Wall
Applications:	Obstetrics, Gynecology, Dermatology, Emergency Medicine
Certifications/approvals:	IEC 60601-1/60601-2-41 certified; CE marked
Product warranty:	5-year parts and labor

Note: The optical data are nominal values based on measurements calculated according to UL/IEC performance standards at 120V



Philips Burton  
 21100 Lassen Street Chatsworth, CA 91311  
 Phone: 818-701-8700 Fax: 818-701-8725  
 www.burtonmedical.com  
 © 2011 Philips Burton. All rights reserved. Product designs protected by copyright.  
 We reserve the right to change details of design, materials and finishes.

LIT-0052, Rev. 2