



Wall-mounted patient lights

Light Caress XC

A patient room solution that delivers performance, durability and aesthetics.

Light Caress XC fulfills the needs for patient rooms in both extended and acute care facilities. The separate lamp compartments provide the ambient lighting and reading light for patient comfort. The smooth form reduces the visual impact on the wall while simplifying routine cleaning and the LED nightlight provides safety for patient and staff alike. The die cast aluminum endcaps and extruded aluminum body ensure the durability that healthcare environments require.

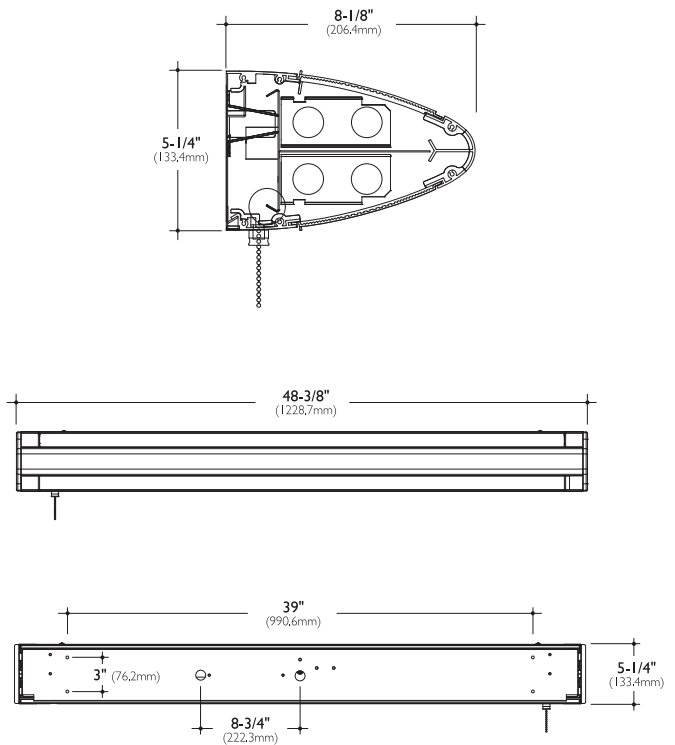


The Right Light

PHILIPS
burton

Features

- Agion® antimicrobial finish*
- 3-piece assembly simplifies installation and servicing
- The standard antimicrobial finish supports facilities' infection control protocol
- The 4-position pull chain switch (120V only) provides sequential control of the indirect and direct lamp compartments
- A variety of lamp configurations can be selected to fit the application
- 3500K T8 fluorescent lamps are provided with the Light Caress XC
- LED nightlight standard
- UL and CUL listed for damp locations
- 5-year limited warranty
- Assembled in USA



(Hg) Some luminaires use fluorescent or high intensity discharge (HID) lamps that contain small amounts of mercury. Such lamps are labeled "Contains Mercury" and/or with the symbol "Hg". Lamps that contain mercury must be disposed of in accordance with local requirements. Information regarding lamp recycling and disposal can be found at www.lamprecycle.org

Sample Model No: LCXC4T8-22-120-SWH-LS = 4' (122 cm) Light Caress XC; 2 Lamps Up, 2 Lamps Down, 120V, Soft White Finish, Less Switch

Light Caress XC	Lamp Configuration	Voltage	Finish	Options
LCXC4T8	11 = 1 Lamp Up, 1 Lamp Down 22 = 2 Lamps Up, 2 Lamps Down 12 = 1 Lamp Up, 2 Lamps Down 21 = 2 Lamps Up, 1 Lamp Down	120 277 ¹ 347 ¹	SWH = Soft White TPE = Taupe	LVC ² = Low Voltage Controller LS = Less Switch BSS = Bed Shut-Off Switch

¹ Not available with pull chain switch.

² The LVC is factory installed in the fixtures and replaces the pull chain switch. The LVC is compatible with industry standard bed control systems (by others) and can be field wired for either separate or sequential switching of indirect and direct lamps.

*Agion® is an EPA registered ionic silver technology and a registered trademark of Agion Technologies.



Burton Medical Products
 21100 Lassen Street Chatsworth, CA 91311
 Phone: 818-701-8700 Fax: 818-701-8725
www.burtonmedical.com
 © 2011 Burton Medical. All rights reserved. Product designs protected by copyright.
 We reserve the right to change details of design, materials and finishes.