



Task Light

## LE-35

A better alternative to the multi-purpose gooseneck.

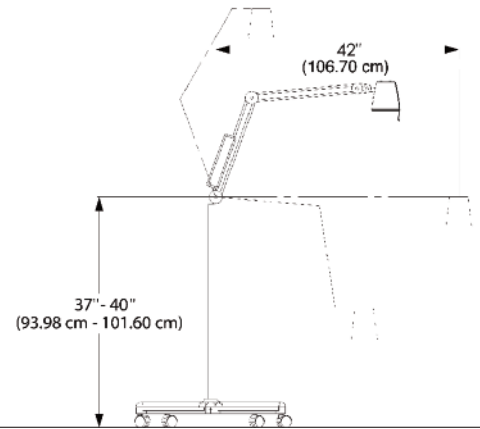
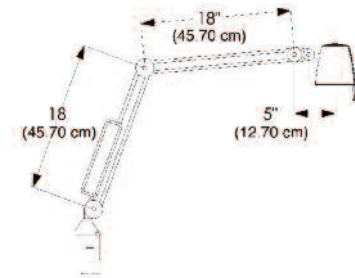
Philips Burton's new LE-35 provides two to five times more bright white light for your money than similar lights in its class. LE-35's K-arm reach of 42" (107 cm) is about double that of other comparable lights with drift-free and sag-free performance year after year. Our value, performance and two year product warranty make Philips Burton's LE-35 the best task light on the market.

*The Right Light*

**PHILIPS**  
**burton**

## Features

- Drift-free K-arm with 42" (107 cm) arm range
- Available in a table mount, wall mount and floorstand model
- UL 153 certified



**LE-35 range of motion and general dimensions**

## Summary of technical data

|                    |                                     |
|--------------------|-------------------------------------|
| Illuminance:       | 30,000 lux (2787 fc) at 18" (46 cm) |
| Color Temperature: | 2900 K                              |
| CRI:               | 97                                  |
| Bulb life:         | 4000-hour average lamp life         |
| Type of bulb:      | Halogen Dichroic Reflector          |
| Power:             | 35 Watts                            |
| Product warranty:  | 2-year warranty                     |

*Note: The optical data are nominal values based on measurements calculated according to UL/IEC performance standards at 120V. This product is NOT available in Norway, Sweden, Finland, Denmark, Estonia, Russia, Germany, UK, Ireland, Australia, Spain, the Netherlands or Iceland.*

## Ordering Information

| 120V Model  | 230/240V Model | Description                            |
|-------------|----------------|--|
| LE35FL      | LE35FL25       | Floorstand                             |
| LE35T       | LE35T25        | Table Mount                            |
| LE35W       | LE35W25        | Wall Mount                             |
| Accessories |                |  |
| 0009600PK   |                | LE-35 Halogen Replacement Bulbs, 4/Box |



Philips Burton  
21100 Lassen Street Chatsworth, CA 91311  
Phone: 818-701-8700 Fax: 818-701-8725  
www.burtonmedical.com

© 2011 Philips Burton. All rights reserved. Product designs protected by copyright.  
We reserve the right to change details of design, materials and finishes; check website for most current product specifications.

LIT-0053, Rev. 3