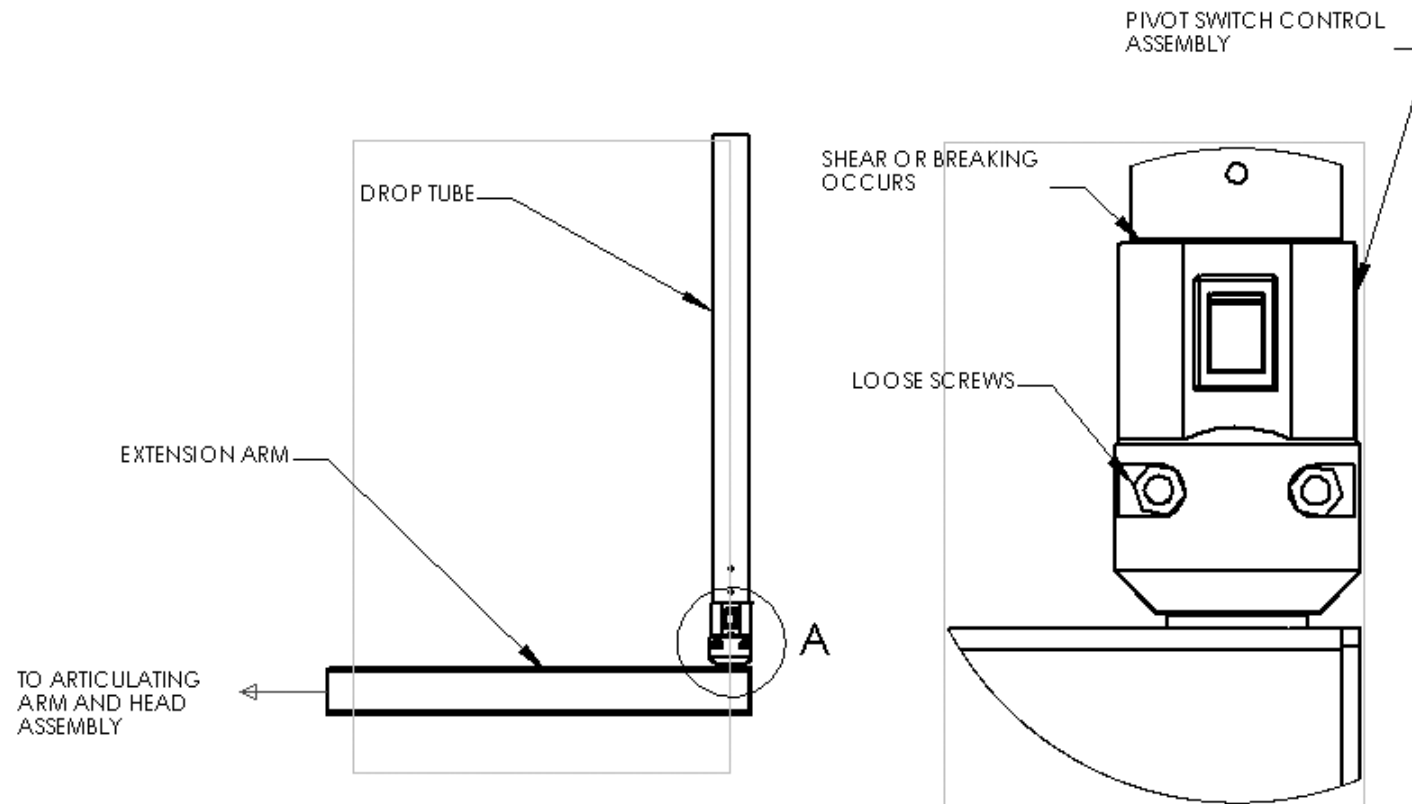


Attachment A

Drawing of Single Ceiling Mount Pivot Area Covered by Safety Alert
(Manufacturing Date: January 1, 1992 - July 31, 2000)



Complete Part Numbers Covered Under Safety Alert:

A. For Period January 1, 1994 through July 31, 2000

1. 0224122 - Outpatient® II Single Ceiling
2. 0124522 - Outpatient® Plus Single Ceiling
3. 0244322 - CoolSpot™ II Single Ceiling
4. 0134522 - CoolSpot™ Single Ceiling
5. 0204470 - Outpatient® II (Single) with Fastrac and Single Trolley
6. 0200470 - Outpatient® Plus (Single) with Fastrac and Single Trolley
7. 0204370 - CoolSpot™ II (Single) with Fastrac and Single Trolley
8. 0200370 - CoolSpot™ (Single) with Fastrac and Single Trolley

B. For Period January 1, 1992 through December 31, 1993

1. 0114122 - Outpatient® Single Ceiling
2. 0134122 - CoolSpot™ Single Ceiling
3. 0100470 - Outpatient® (Single) with Fastrac and Single Trolley
4. 0100370 - CoolSpot™ (Single) with Fastrac and Single Trolley