

# Patientlite

DESIGN: ALEKSANDER BORGENHOV

Patientlite has a clean, modern design that virtually eliminates dust traps and makes cleaning easy. A wide variety of lamp configurations make Patientlite suitable for all applications within the health sector where a wall-mounted luminaire is needed.



## TECHNICAL INFORMATION PATIENTLITE

Patientlite utilizes the latest optical designs for maximum performance. A distinctive cut-off of the downlight provides a pleasant reading light for the patient without creating glare and discomfort for other patients or staff. The ceiling is evenly illuminated by the uplight component.

The uplight and downlight can be controlled individually using wall switches, pull cords or other switching devices. Additional nightlight.

### FEATURES AND BENEFITS

- T5 technology
- High performance, energy-saving electronic high frequency ballast
- THD <10%
- Extruded aluminum body
- Cast aluminum end caps
- Polycarbonate lens covers
- Anodized aluminum reflector
- Powder coat paint finish

- Quick-connect terminal block
- Individual control of uplight and downlight
- Available with pull-chain switch
- Optional nightlight

### MOUNTING:



Put the wall bracket on the wall



Fix the bracket to the wall using screws.



Hinge the luminaire to the wall bracket.



Hinging the luminaire on the bracket makes it easy to install the mains.



Install mains.



Fix the luminaire to the wall bracket with 2 screws and mount the plastic cover. Patientlite is now ready to use.



Put the polycarbonate cover on the fixture.



Easy cleaning due to polycarbonate cover.

### WIRING:

The Patientlite's terminal block allows for a variety of wiring options.

Important considerations are how the bedlight is to be controlled; Is the unit to be controlled with an integrated bedside controller, using pull chains, remotely at the nursing station, on the wall or a combination of the above.

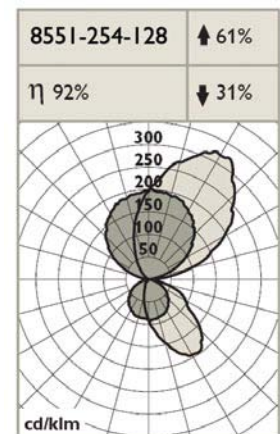
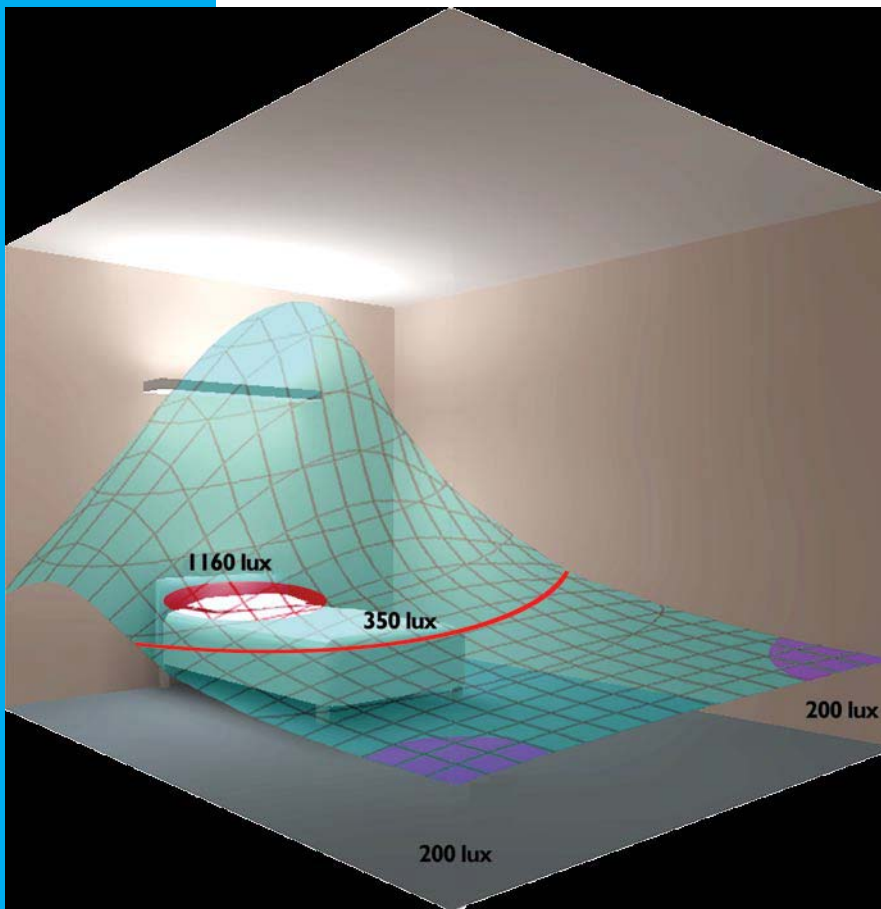
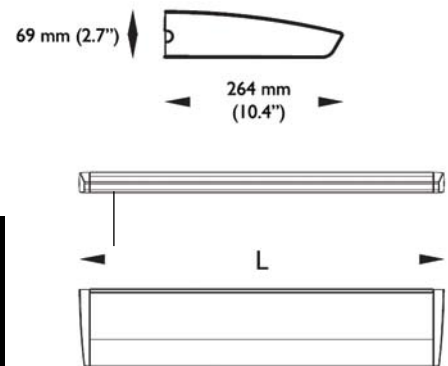
The nightlight has an additional option and can also be wired as an emergency light.

These options determine the final configuration of the unit on spec especially when considering a Pull Chain.

### STANDARDS AND NORMS

A patient room requires three different light fixtures, one for general lighting, one for examination, and a night-light. Each one these fixtures requires miles of wiring back to an electrical panel and on-going maintenance. Hospital rooms require 500 lux for examination and a minimum of 200 lux throughout the room. Further a night-light providing the patient and practitioner with 10 lux.

Luxo has developed a unique series of contemporary fixtures, Patientlite, which accomplish all these requirements and more with one fixture. The Luxo fixture comes complete with remote and onboard switching options that allow the Patientlite to fit any institution. Luxo provides all this light without glare by using indirect light for 70% of the light output.



### APPROVALS:

- Degree of protection, class 1.
- UL / cUL Listed

ORDERING CODE

SERIES

PATIENTLITE

CONFIGURATION 1

8551: Patientlite Length 1240mm / 48.82 in

8551

LAMPING

254 : 2 X 54W T5-HO

254-128 : 2 X 54W T5-HO + 1 X 28W T5-HE

254-128-15 : 2 X 54W T5-HO + 1 X 28W T5-HE + 1 X 5W PL

CIRCUIT

TP: Triple

TP

BALLAST

EB: Electronic HPF <10% THD, Magnetic (nightlight)

EB

VOLTAGE

UNV: Universal Voltage 120V to 277V \*120V nightlight\*

UNV

FINISH

WT: White

Standard colour is white. Custom colors available. Please consult customer service.

FACTORY OPTIONS 1

TB: Terminal Block wiring

EM: Terminal Block wiring with Emergency Circuit on nightlight \*ONLY 8551-254-128-115 Version\*

FACTORY OPTIONS 2

SD: Standard (Without Pull Chain)

PL: Left Pull Chain

\* see wiring note on previous page

SPECIFICATION SUBMITTAL

SPECIFIER (ENGINEER/ARCHITECT)

Job Name: \_\_\_\_\_ Job Number: \_\_\_\_\_ Name: \_\_\_\_\_