

WAVE™ PLUS

A larger viewing area and 30% more intensity than conventional magnifier-type lights!

The Wave™ Plus has a new sleek design to complement your office decor. Its unique, powerful 3.5 diopter magnifier is superior in both form and function. Plus, two independent fluorescent light bulbs offer 30% more intensity and enhance optical performance for your exams and surgical procedures. The Wave™ Plus is now available in UV version for a variety of diagnostic applications.



PERFORMANCE RELIABILITY VALUE



Healthcare professionals prefer Wave™ Plus' large rectangular magnifier, which provides an optimal viewing area.

The Right Light

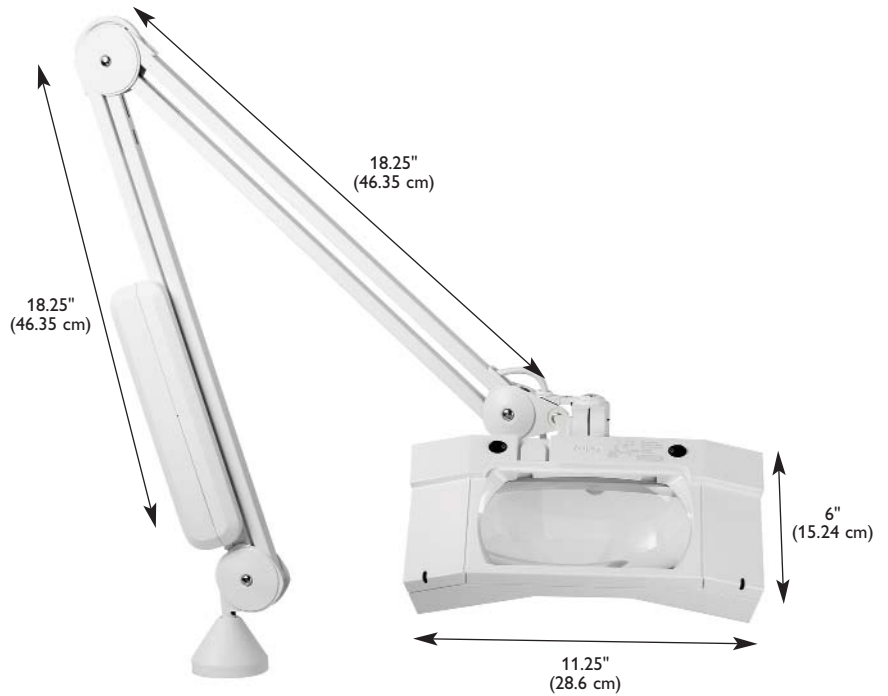
MAGNIFIERS

WAVE™ PLUS

A larger viewing area and 30% more intensity than conventional magnifier-type lights!

WAVE™ PLUS FEATURES:

- > Superior optics; 3.5 diopter fluorescent magnifier with 13" focal length
- > Extremely bright; 2 independent 13-watt fluorescent bulb sources with 10,000-hour average bulb life
- > 4100° Kelvin color temperature
- > 41" (105cm) Articulating Arm (K-Arm)
- > 6 1/2" (17cm) x 4" (10cm) lens
- > "Quick-start" switch and ballast to activate bulbs
- > New 'no drift' arm allows complete freedom of movement
- > Also available in UV version with black housing
- > Available in floorstand and table/wall models
- > 5-year warranty



MODELS:

115V	230V	
#WM50FL	#WM52FL	Wave™ Plus Floorstand on Mobile Base (casters included)
#WM50W	#WM52W	Wave™ Plus Wall/Table Mount
#WM60FL	#WM62FL	Wave™ UV Floorstand on Mobile Base (casters included)
#WM60W	#WM62W	Wave™ UV Wall/Table Mount



ALSO AVAILABLE:
Wave™ UV Mobile Floorstand and Wall/Table Mount models



ACCESSORIES:

#0009700PK	Set of (4) 13-watt replacement bulbs, 115V
#0009310PK	Set of (4) 7-watt replacement bulbs, 230V
#06-800-140-00	4 Diopter lens attachment
#06-800-130-00	8 Diopter lens attachment
#06-800-120-00	10 Diopter lens attachment



BURTON MEDICAL
21100 Lassen Street
Chatsworth, CA 91311
Phone: 800-444-9909, 818-701-8700
Fax: 800-765-1770, 818-701-8725
www.burtonmedical.com